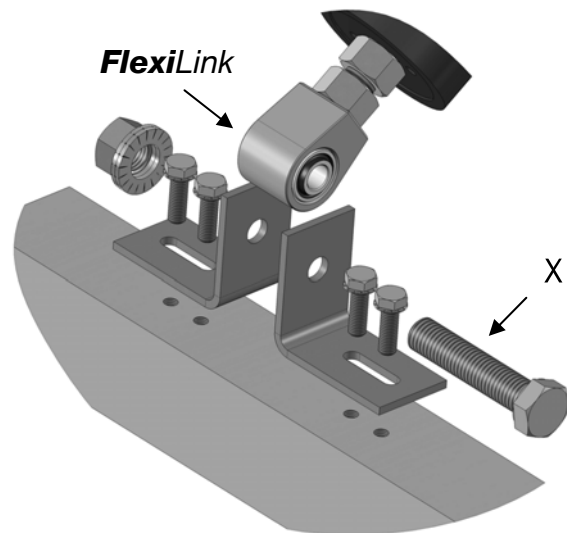
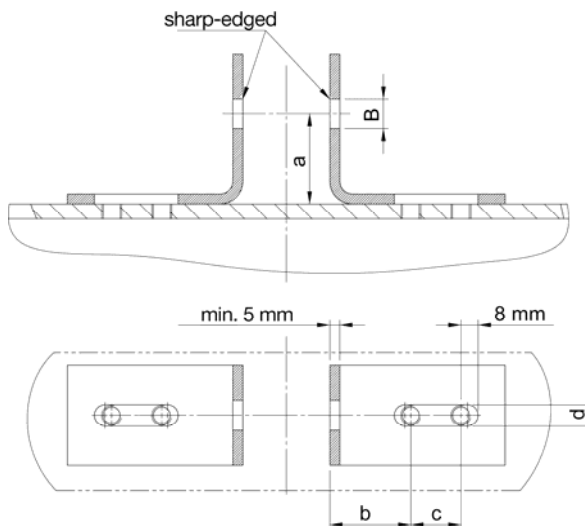


The coupling elements of the series *FlexiLink* serve to fasten pneumatic linear vibrators.

Please comply with the following instructions when mounting the *FlexiLink* elements:

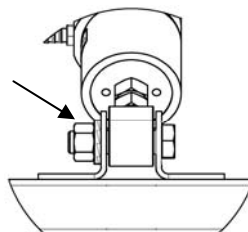
- For the assembly of the *FlexiLink* elements two additional brackets are required. Attach these brackets with four screws and suitable safety elements. A further bolt (X) with a nut and a washer are necessary to fasten the *FlexiLink* between the brackets.
- The clearance between the bore diameter (B) and the diameter of the bolt thread (X) must be as small as possible.
- The bores must be axially symmetrical to each other.
- The edges of the bores (B) must not be chamfered at the inside of the brackets (sharp-edged).
- Preferably the nut should be secured using the washer supplied by *NetterVibration* or/and Loctite.



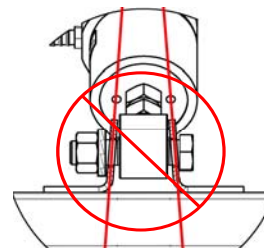
Type	Vibrator type	Bolt thread (X)	Tightening torque [Nm]	Bore B [mm]	Dimensions [mm]				Fixing screws for the brackets
					a	b	c	d	
<i>FlexiLink</i> M10	NTK 18 AL	M10	50	Ø10	17 ⁺¹	30	20	9	M8
<i>FlexiLink</i> M16	NTK 25 AL, NTK 40	M12	75	Ø12	19 ⁺¹	35	40	11	M10
<i>FlexiLink</i> M20	NTK 55 AL, NTK 85, NTK 110	M20	150	Ø20	29 ⁺¹	35	40	11	M10

for <i>FlexiLink</i> Type	Washers Order No.	
	galvanised	stainless steel
M10	61702092	61702395
M16	71300815	71300980
M20	71301042	on request

Washers can be supplied by *NetterVibration*



The nut has to be secured using a washer or/and Loctite.



After tightening the nut, the brackets must be parallel to each other.

