

47

## Netter Conveyor System Series *LineDrive*



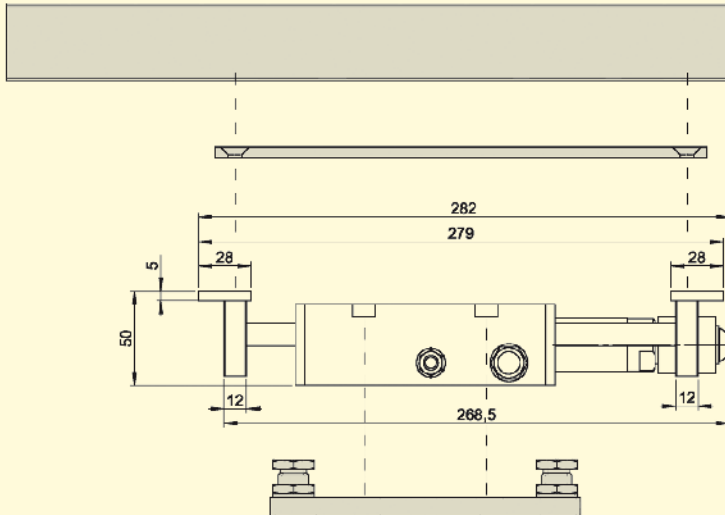
- Gentle and constant conveying
- Flat, compact construction
- Modularly extendable
- Low air consumption
- Very low noise level





## Netter Conveyor System Series *LineDrive*

The conveyor system of the *LineDrive* series consist of:

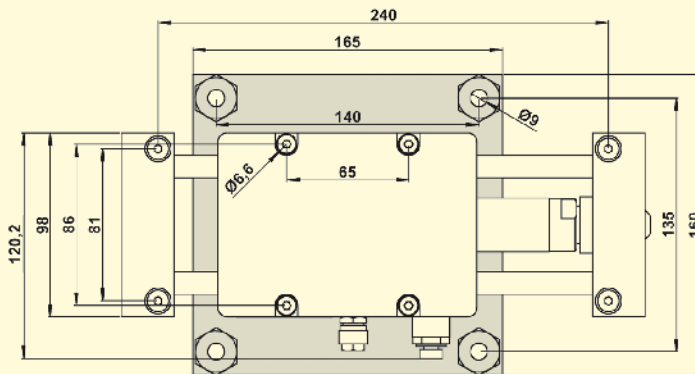


a conveyor trough,  
manufactured either  
by the client or  
as per client's  
requirements,

the mounting plate  
(optional),

the *LineDrive*-  
unit,  
driven by a  
linear vibrator

and the ground plate  
(optional).



Conveyor system *LineDrive*



trough



mounting plate



drive unit



ground plate

### Applications

The *LineDrive* conveyor system is suitable for gentle, horizontal conveying of bulk material. The flat design (height of drive 5 cm) allows applications even with confined space constraints.

### Design and functioning principle

Traditional vibration conveyor systems work on the throwing principle, in which the product is "thrown" forward, following a trajectory parabola. With the *LineDrive* conveyor principle, the material slides along the conveyor trough. This is made possible by a pneumatic linear drive.

The conveyor output can be adjusted to suit the specific characteristics of the material to be conveyed by regulating the compressed air. It is possible to convey greater loads by coupling several *LineDrive* propulsion systems. In addition to the standard versions, customized variants of the *LineDrive* series are also available.

### Mounting plates

The mounting plates are suitable for mounting the entire surface of the conveyor troughs on a *LineDrive* unit.

### Base plates

The base plates are used to compensate unevenness in order to avoid any tensioning in the *LineDrive* unit.

### Permissible operating conditions:

#### Drive Medium:

Compressed air or nitrogen (filter  $\leq 5 \mu\text{m}$ ), preferably with oil mist

#### Optimum Operating pressure:

2 bar

#### Ambient temperature:

5°C to 60°C

#### Weight without trough:

2,7 kg

*NetterVibration* offers the accessories required for the mounting, installation, control and monitoring of vibrators and impactors.

### Netter provides solutions.

Consult our experienced application technicians.

### Netter GmbH

#### Germany

Fritz-Ullmann-Str. 9  
55252 Mainz-Kastel  
Tel. +49 6134 2901-0  
Fax +49 6134 2901-33

#### Switzerland

Erlenweg 4  
4310 Rheinfelden  
Tel. +41 61 8316200  
Fax +41 61 8311291

#### Poland

Al. W. Korfantego 195/17  
40-153 Katowice  
Tel. +48 32 2050947  
Fax +48 32 2051572

www.[NetterVibration.com](http://NetterVibration.com)  
info@[NetterVibration.com](mailto:NetterVibration.com)