

DRUM MIX MASTER

- DMM200 -

Product catalogue



Type DMM200
Drum mixer from 30 to 220l



WHO WE ARE ?

Lessine stands out for its extensive know-how and over 130 years experience in the design, development, construction and installation of machinery for bulk products industry. We master **five major technologies** in this sector : **milling, mixing, drying, separation and handling**.

For each technology, Lessine has developed a wide range of machines that can tailor to your application. With our well-equipped test room, we carry out semi-industrial-scale tests before ordering to guarantee the performance of the equipments and predict its wear conditions.

As we believe that a small detail can make all the difference, Lessine is committed to offering our customers « **The tailor-made solution** ».

Our offers vary according to your needs, from the installation of individual equipment to the installation of a complete solution.

Our tailor-made solutions take into consideration :

- ◀ The specifics of your project: technology, sizing, investment, cost, construction...
- ◀ The specific nature of your requirements: Transport, automation, installation, commissioning, spare parts...
- ◀ From the design stage > R&D, development, testing and feasibility.

Each of our machines is tailor-made for specific cases, guaranteeing optimum functionality and maximum efficiency.



DRUM MIX MASTER

WHAT IS IT ABOUT ?

The DMM200 (Drum Mix Master), is a machine designed to ensure the homogeneous mixing of powders, granulate and/or liquids in drums of different sizes and designs ranging from 30 to 220l as standard (or others on request).

ITS AVDANTAGES

- ◀ **Efficiency** : Allows materials to be mixed quickly and uniformly, whether they are powders or liquids, thus reducing preparation time.
- ◀ **Flexibility** : Able to adjust to different containers and sizes (metal, plastic, etc.)
- ◀ **Simplicity** : Can be automated with adjustable parameters for improved ergonomic use, making it easy to switch from one container to another.



Our range includes **three types** of drum mixers :

DMM200 : This is the classic model, for drums ranging from 30 to 220 litres; the drum is installed manually on the rotation axis, including various fixing options.

DMM200 AT : Automated tilting system for easy drum handling and fixing. Various manual or automatic drum fixing systems available.

DMM200 LABO : This Labo version can be used to mix small containers or interchangeable tanks (V-shaped, bi-conical, parallelepipedal, etc.) of different volumes (0.2 to 9 litres).

TYPE DMM200

HOW DOES IT WORK ?

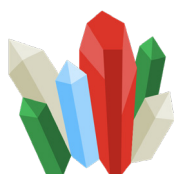
Our solution :

- ◀ The mixer at standstill is located inside a safety grid previously chosen according to the plant layout. The mixer must be protected on all sides.
- ◀ The operator opens the grating, and brings the drum to it via a pallet truck or forklift.
- ◀ The operator positions the drum on the mixer support in a vertical position and secures it according to the fixing option chosen.
- ◀ Once the drum has been correctly positioned and secured, the operator exits the safety enclosure.
- ◀ As soon as the safety lock is engaged, the operator can start the mixing cycle, for an adjustable pre-determined time.
- ◀ At the end of the cycle, the mixer stops in the vertical position to allow the drum to be removed.
- ◀ Once the machine has stopped, the safety lock is released and the operator can re-enter the chamber to retrieve the drum containing the mix.
- ◀ The operator picks up the drum with the pallet truck or forklift.
- ◀ The cycle can be repeated.

IN WHICH INDUSTRIES IS DMM MOST COMMONLY USED ?



Chemicals



Minerals



Pharma



Food



Plastics



Cosmetics

What is your application ?

TYPE DMM200

MIXER BASE – STANDARD VERSION

The mixer base consists of :

- ◀ Control unit including a geared motor
- ◀ Support frame for the equipment and its drive made from ST37 carbon steel / 304 - 316 stainless steel.
- ◀ A complete painted steel/stainless steel 304 or 316 cover for the transmission components.

Technical specifications :

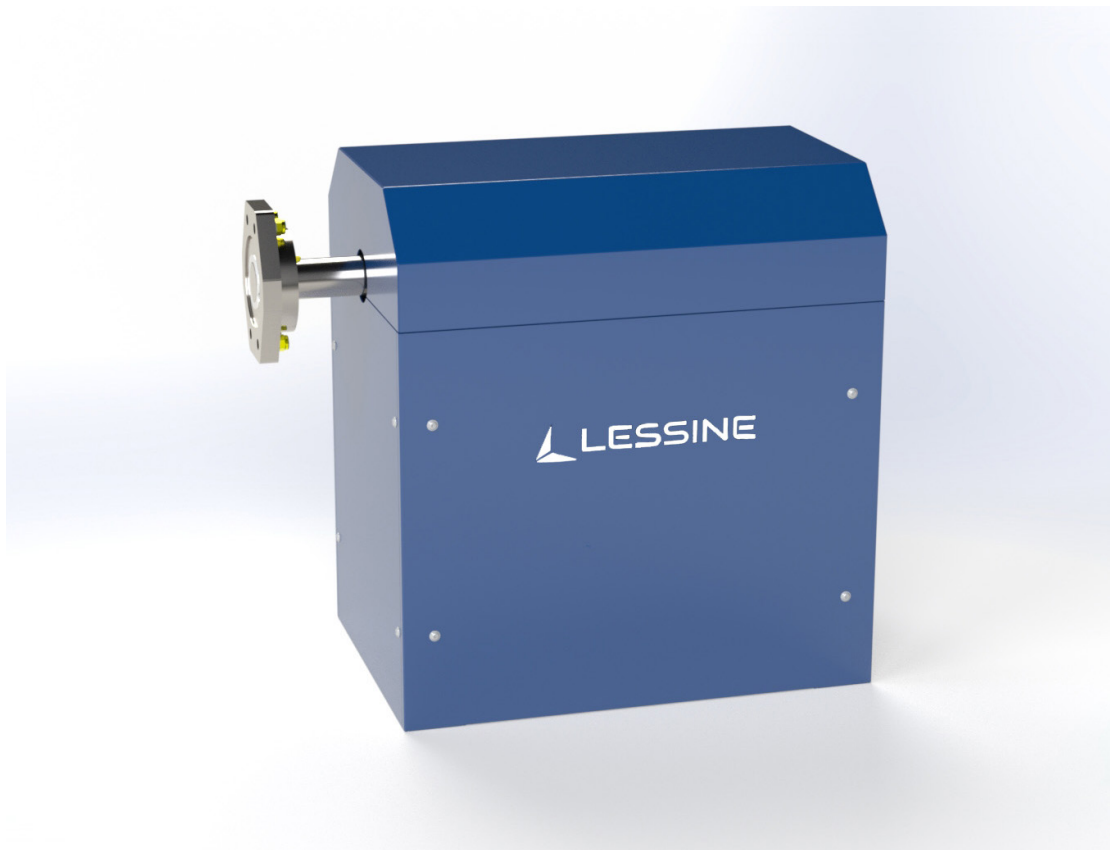
Type : DMM200

Containers: 30 to 220L drums (other sizes on request)

Construction : ST37/ Stainless steel 304 - 316

Rotation speed: +/- 30 rpm

Drive unit : 1,5kW 3x400V 50HZ



TYPE DMM200

MIXER BASE – DOUBLE VERSION

The mixer base consists of :

- ◀ Drive assembly including a gear motor, a transmission, and a rigid drive shaft that allows for attachment on each side of the base, mounted on bearings..
- ◀ Support frame for the equipment and its drive made from ST37 carbon steel / 304 - 316 stainless steel.
- ◀ A complete painted steel/stainless steel 304 or 316 cover for the transmission components.

Technical specifications :

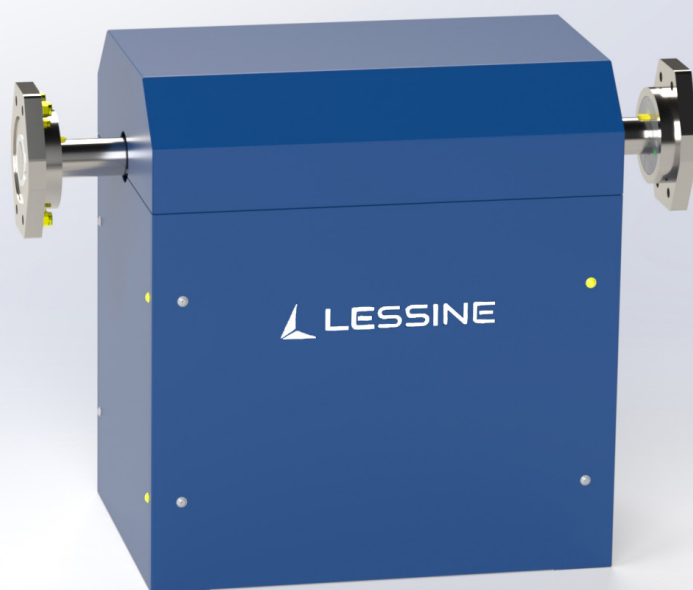
Type : DMM200

Containers: 30 to 220L drums (other sizes on request)

Construction : ST37/ Stainless steel 304 - 316

Rotation speed: +/- 30 rpm

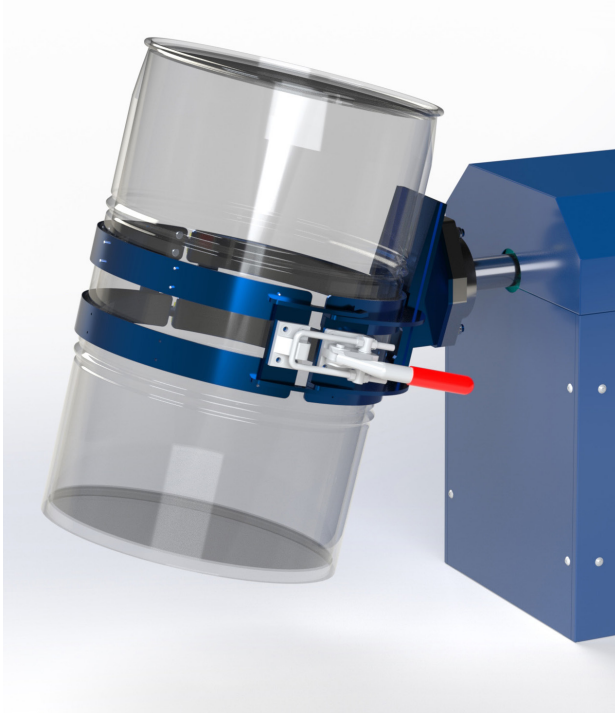
Drive unit : 1,5kW 3x400V 50HZ



TYPE DMM 200

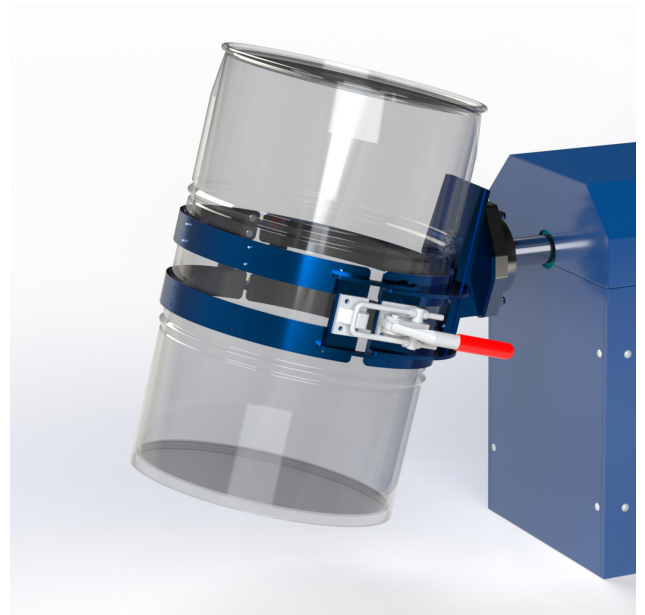
WHAT ARE THE OPTIONS ?

◀ *Single fixing - Single drum* (Item 00016)



Includes :

- ◀ Hinge-mounted metal belt fastening system with a quick-release clip
- ◀ Made-to-measure design to the type of barrel used
- ◀ Inner lining made of soft, grippy rubber to ensure good barrel stability
- ◀ Construction : painted steel/ stainless steel 304 – 316



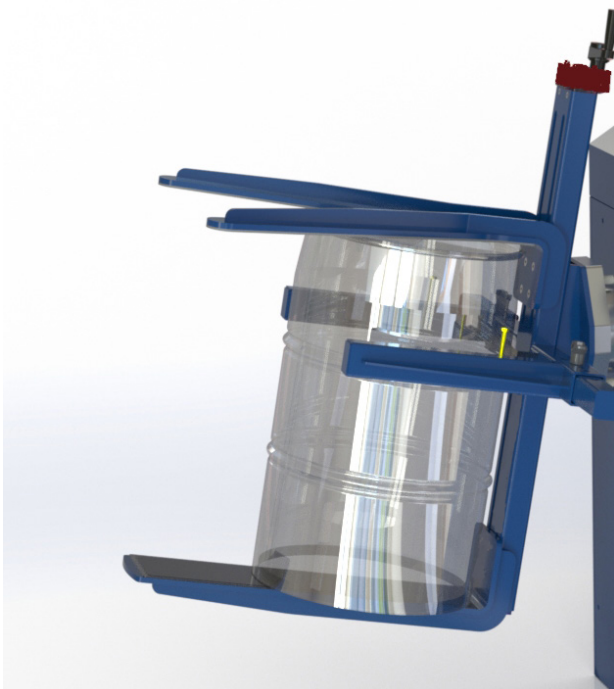
TYPE DMM 200

WHAT ARE THE OPTIONS ?

- ◀ **Fixing with simple manual adjustment - 80L to 220L drums**
(Item 00015)

Includes :

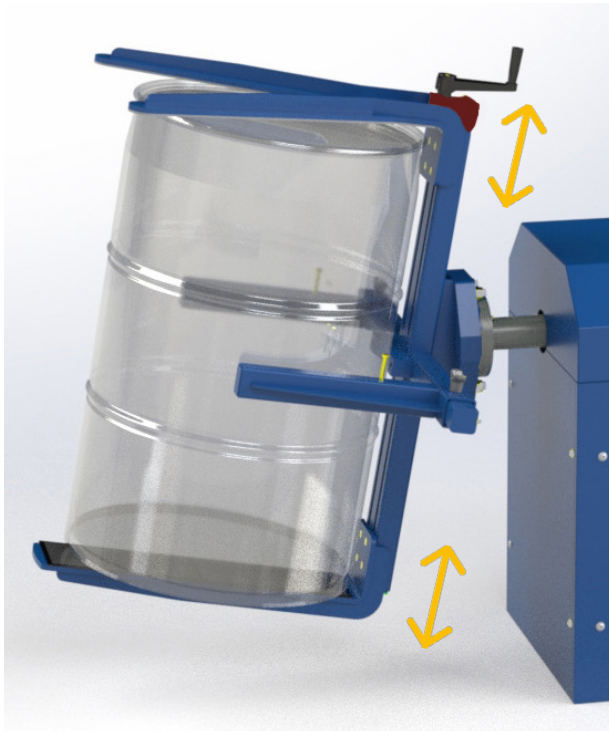
- ◀ Fixed lower support for drum handling by pallet truck or forklift truck
- ◀ V-shaped upper support adjustable in height by crank handle
- ◀ Two lateral drum support profiles adjustable without tools
- ◀ Two positions for insertion of support straps for very heavy drums (optional)



TYPE DMM 200

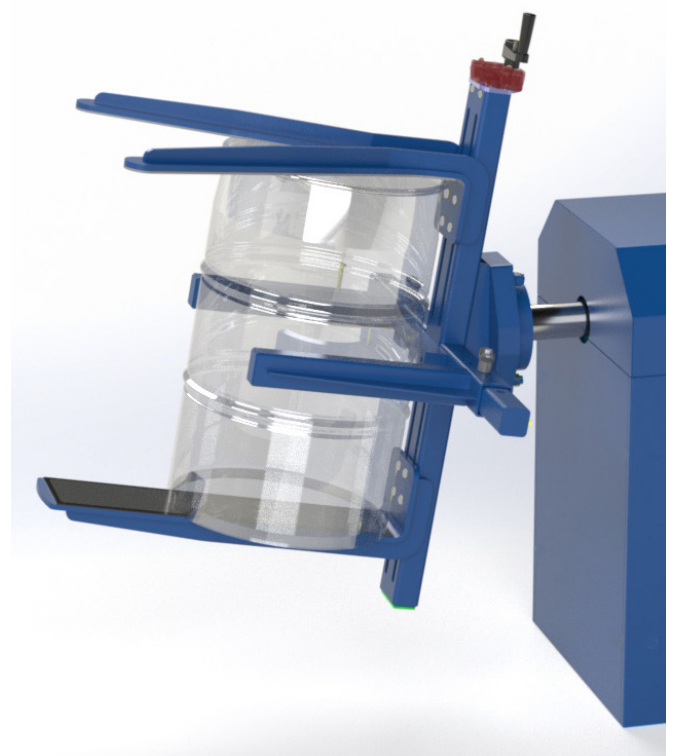
WHAT ARE THE OPTIONS ?

- ◀ **Fixing with double manual adjustment - 50L to 220L drums**
(Item 00021)



Includes :

- ◀ Lower and upper support adjustable to allow a wider variety of drums, both height adjustable by crank handle
- ◀ Lower support for handling of the drum by forklift, and V-shaped upper support
- ◀ Two lateral drum support profiles, position adjustable without tools
- ◀ Two positions for insertion of support straps for very heavy drums (optional)



TYPE DMM 200

WHAT ARE THE OPTIONS ?

◀ *Local control panel*

(Item 00028)

Includes :

- ◀ IP55 enclosure
- ◀ Start/stop buttons
- ◀ Grid safety connection
- ◀ Digital timer
- ◀ Barrel locking system (brake motor)

Note : this box must be installed outside any ATEX zone



TYPE DMM200

WHAT ARE THE OPTIONS ?

◀ *Safety fence - 2-sided - 3-sided - 4-sided* (Item 00018)



Includes :

- ◀ Set of protective steel fence (painted/304-316 stainless steel/ plexiglass) to be fixed to the floor
- ◀ Hinged door fitted with a « Safelock » type safety lock (cannot be opened during use and impossible to start up with door open) which allows the container to be inserted and removed
- ◀ This door is wide enough to allow easy handling of the drums
- ◀ This grid is to be assembled on site by the user

DRUM MIX MASTER

MANY REFERENCES SOLD

Lessine has been extending its expertise around the world for many years.

The Drum Mix Master has established itself on different continents, with numerous references sold internationally.

This journey began in Europe, continued in Africa, before reaching America and Asia, testifying to the growing confidence in our technology.

Contact us to find your nearest representative.



ANNEXES

EXAMPLES OF LOCATIONS

